

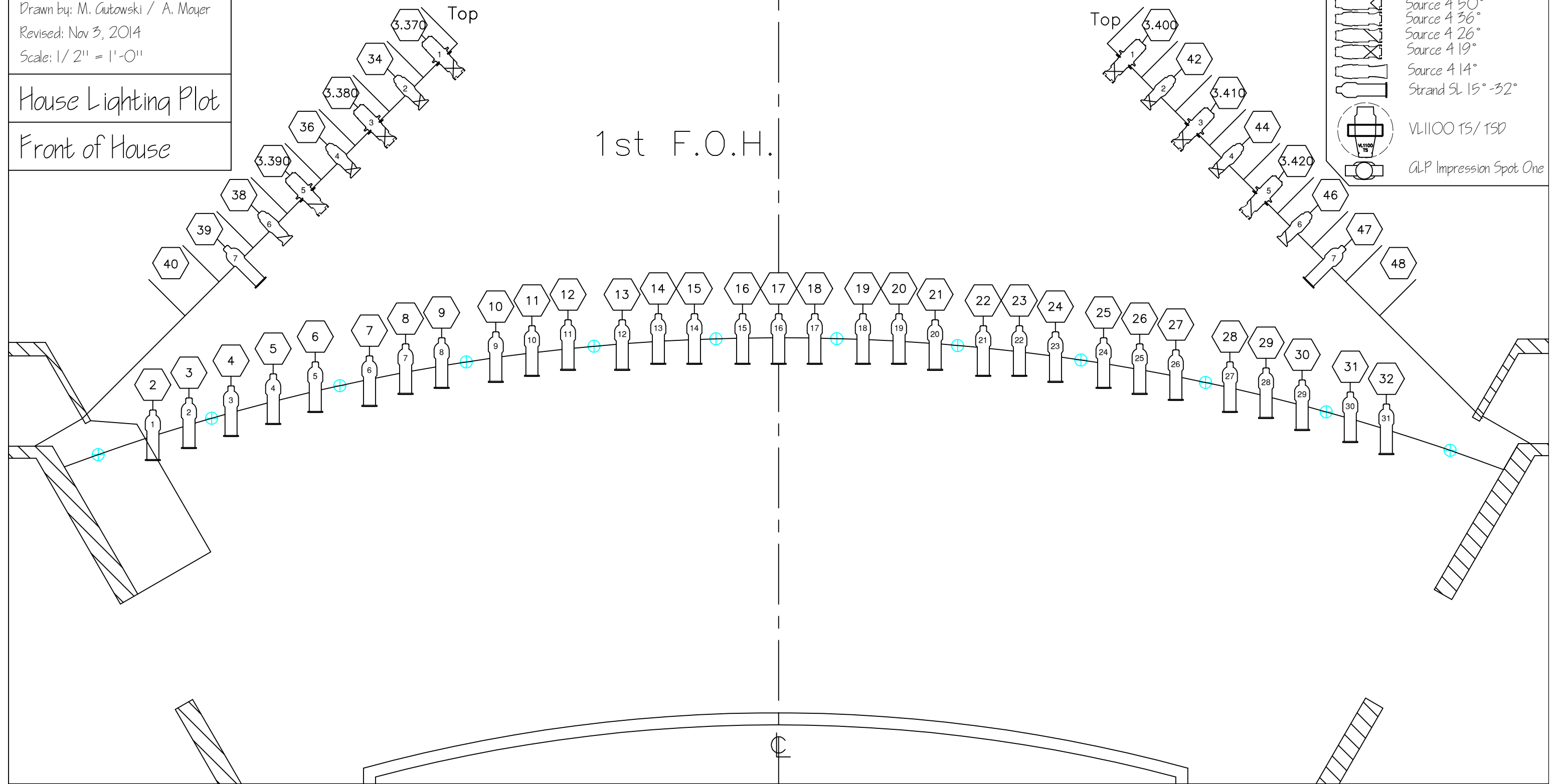


Drawn by: M. Gutowski / A. Moyer
Revised: Nov 3, 2014
Scale: 1/2" = 1'-0"

House Lighting Plot

Front of House

- ### Lighting Legend
- Elation 10° LED PAR
 - Source Four PAR Narrow
 - 6" Fresnel
 - Altman Spectra Cyc 200
 - Source 4 LED Lustr+
 - Source 4 90°
 - Source 4 70°
 - Source 4 50°
 - Source 4 36°
 - Source 4 26°
 - Source 4 19°
 - Source 4 14°
 - Strand SL 15°-32°
 - VL1100 TS/ TSD
 - GLP Impression Spot One





Technical Office

Supervisor of Technical Services

Sean Lett

Phone: (905) 338-4162

Fax: (905) 815-2002

Email: slett@oakville.ca

Drawn by: M. Gutowski








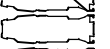

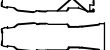
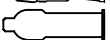

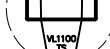

November 21, 2017

Scale: 1/2" = 1'-0"

House Lighting Plot

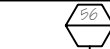



Stage

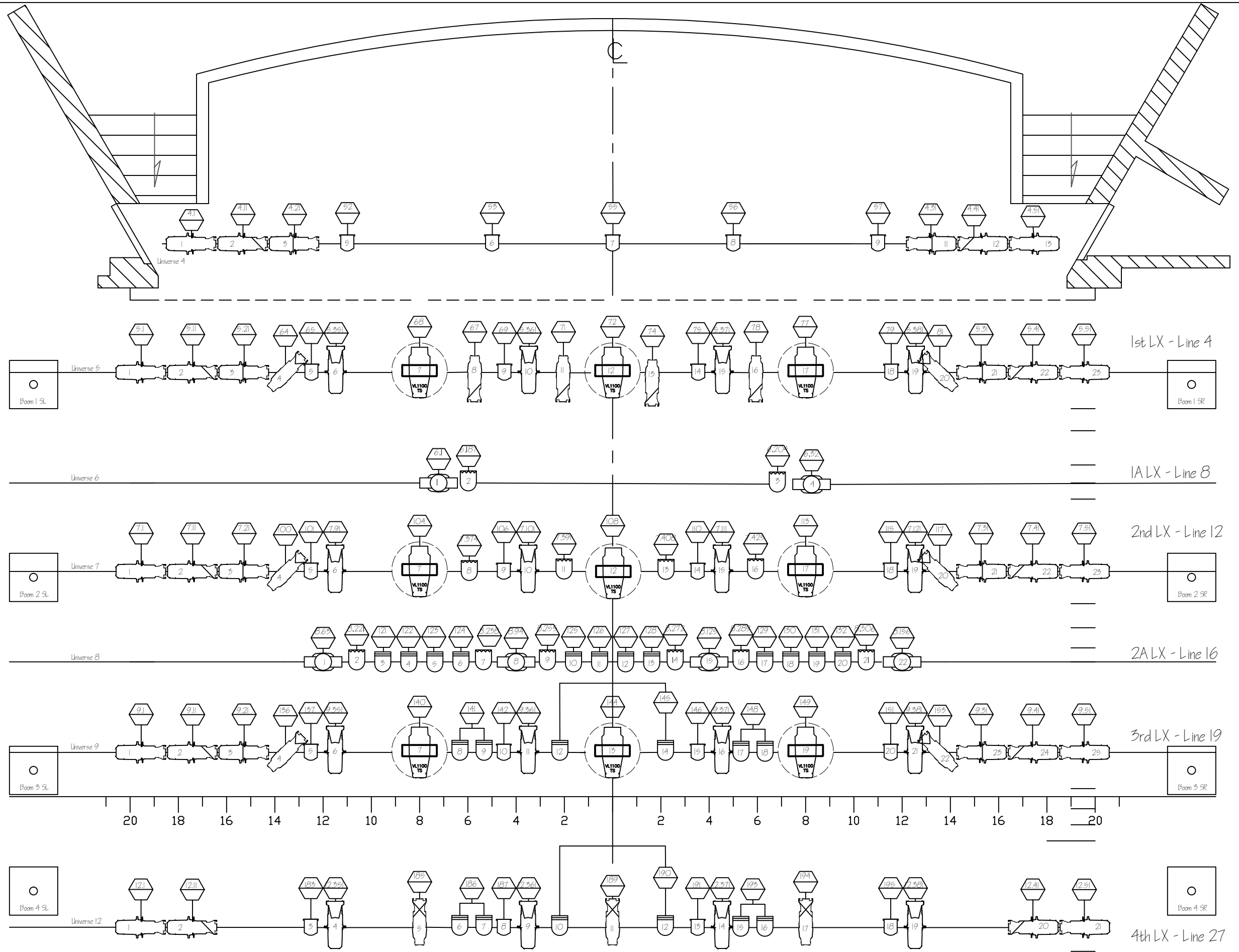
Lighting Legend

-  Colorado 2-Quad Z Tour
-  Source Four PAR Narrow
-  6" Fresnel
-  Altman Spectra Cyc 200
-  Source 4 LED Lustr+
-  Source 4 Lustr2 Fresnel
-  Source 4 90°
-  Source 4 70°
-  Source 4 50°
-  Source 4 36°
-  Source 4 26°
-  Source 4 19°
-  Source 4 14°
-  Strand SL 15°-32°

 VL1100 TS/TSD

 GLP Impression Spot One

-  Circuit Number
-  Channel Number
-  Gobo
-  Instrument Number





Technical Office

Supervisor of Technical Services

Sean Lett

Phone: (905) 338-4162

Fax: (905) 815-2002

Email: sllett@oakville.ca

Drawn by: M. Gutowski





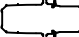


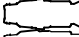

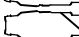
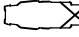

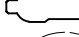



February 21, 2018

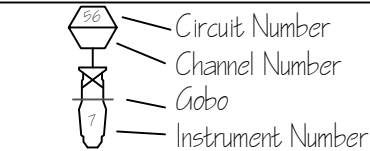
Scale: 1/2" = 1'-0"

House Lighting Plot

Booms

Lighting Legend

-  Colorado 2-Quad Z Tour
-  Source Four PAR Narrow
-  6" Fresnel
-  Altman Spectra Cyc 200
-  Source 4 LED Lustr+
-  Source 4 Lustr2 Fresnel
-  Source 4 90°
-  Source 4 70°
-  Source 4 50°
-  Source 4 36°
-  Source 4 26°
-  Source 4 19°
-  Source 4 14°
-  Strand SL 15°-32°
-  VL1100 TS/ TSD
-  GLP Impression Spot One



Notes About Booms:

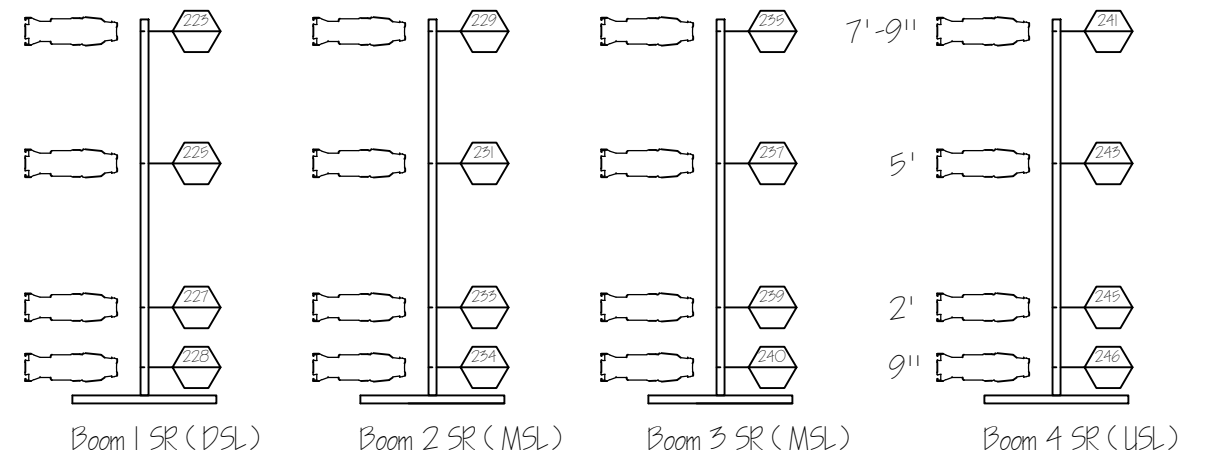
Booms are in storage and ready to be placed. House position is not necessary, and changes may be requested.

If you wish to use the booms you must request they are placed.

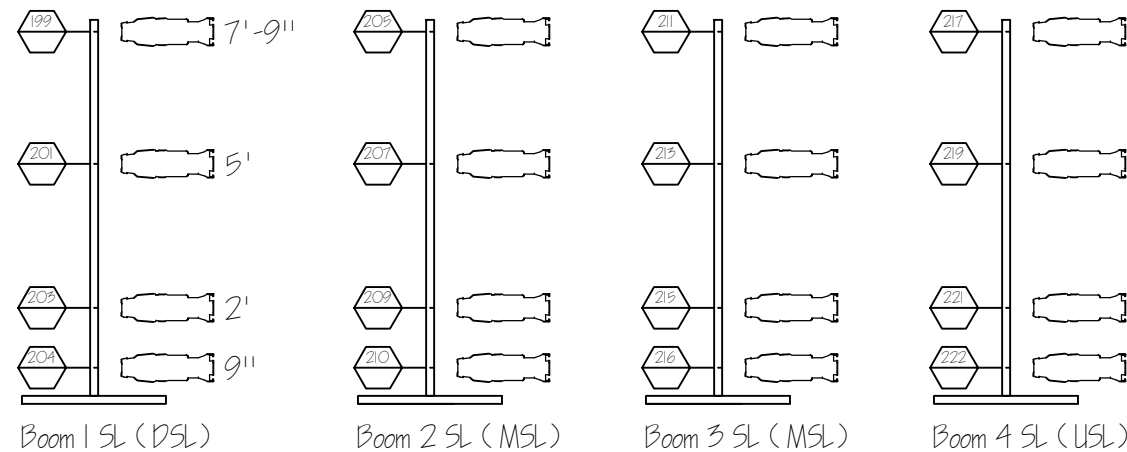
Subsequent time may be added to accommodate the placement and focus of the booms.

Standard placement is 24' offstage of centre, and slightly upstage of electrics to allow fly's to operate unencumbered.

Booms do not have any house color in them. House to provide shin guards to protect the bottom lamp



Stage Right Booms/ Circuits



Stage Left Booms/ Circuits

Channel	Dimmers	Instrument	Gel	Location	Focus
1	29	1 @ Strand Zoom 15°-32°		FOH #1	Wash warm SR
2	24	1 @ Strand Zoom 15°-32°		FOH #1	Wash warm MSR
3	18	1 @ Strand Zoom 15°-32°		FOH #1	Wash warm C
4	12	1 @ Strand Zoom 15°-32°		FOH #1	Wash warm MSL
5	6	1 @ Strand Zoom 15°-32°		FOH #1	Wash warm SL
6	28	1 @ Strand Zoom 15°-32°		FOH #1	Wash cool SR
7	22	1 @ Strand Zoom 15°-32°		FOH #1	Wash cool MSR
8	16	1 @ Strand Zoom 15°-32°		FOH #1	Wash cool C
9	10	1 @ Strand Zoom 15°-32°		FOH #1	Wash cool MSL
10	5	1 @ Strand Zoom 15°-32°		FOH #1	Wash cool SL
11	3.400	1 @ 19° S4 Lustr+		Box Boom	Box Boom LED HL High
12	3.410	1 @ 19° S4 Lustr+		Box Boom	Box Boom LED HL Mid
13	3.420	1 @ 26° S4 Lustr+		Box Boom	Box Boom LED HL Low
14	3.370	1 @ 19° S4 Lustr+		Box Boom	Box Boom LED HR High
15	3.380	1 @ 19° S4 Lustr+		Box Boom	Box Boom LED HR Mid
16	3.390	1 @ 26° S4 Lustr+		Box Boom	Box Boom LED HR Low
17	42	1 @ 19° S4		Box Boom	Box Boom Warm HL High
18	44	1 @ 19° S4		Box Boom	Box Boom Warm HL Mid
19	46	1 @ 26° S4		Box Boom	Box Boom Warm HL Low
20	34	1 @ 19° S4		Box Boom	Box Boom Warm HR High
21	36	1 @ 19° S4		Box Boom	Box Boom Warm HR Mid
22	38	1 @ 26° S4		Box Boom	Box Boom Warm HR Low
23	47	1 @ 26° S4		Box Boom	Bottom Rung Spec
24	39	1 @ 26° S4		Box Boom	Bottom Rung Spec
25	2.343	1 @ Varilite TSD		FOH #1A	FOH HR VL Face
26	2.316	1 @ Varilite TSD		FOH #1A	FOH C VL Face
27	2.289	1 @ Varilite TSD		FOH #1A	FOH HL VL Face
28					
29					
30					
31	27	1 @ Strand Zoom 15°-32°		FOH #1	Face Special 1 SR
32	25	1 @ Strand Zoom 15°-32°		FOH #1	Face Special 2
33	23	1 @ Strand Zoom 15°-32°		FOH #1	Face Special 3
34	21	1 @ Strand Zoom 15°-32°		FOH #1	Face Special 4
35	20	1 @ Strand Zoom 15°-32°		FOH #1	Face Special 5
36	19	1 @ Strand Zoom 15°-32°		FOH #1	Face Special 6
37	17	1 @ Strand Zoom 15°-32°		FOH #1	Face Special 7 CS
38	15	1 @ Strand Zoom 15°-32°		FOH #1	Face Special 8
39	14	1 @ Strand Zoom 15°-32°		FOH #1	Face Special 9
40	13	1 @ Strand Zoom 15°-32°		FOH #1	Face Special 10

41	11	1 @ Strand Zoom 15°-32°		FOH #1	Face Special 11
42	9	1 @ Strand Zoom 15°-32°		FOH #1	Face Special 12
43	8	1 @ Strand Zoom 15°-32°		FOH #1	Face Special 13
44	7	1 @ Strand Zoom 15°-32°		FOH #1	Face Special 14SL
45	78	1 @ 26° S4		1st LX	Face Special USR
46	74	1 @ 26° S4		1st LX	Face Special USRC
47	71	1 @ 26° S4		1st LX	Face Special USLC
48	67	1 @ 26° S4		1st LX	Face Special USL
49					
50					
51	4.51	1 @ 36° S4 Lustr+		Concert Pipe	CP Tip SR Offstage
52	4.41	1 @ 26° S4 Lustr+		Concert Pipe	CP Tip SR Onstage
53	5.51	1 @ 36° S4 Lustr+		1st LX	1st Tip SR Offstage
54	5.41	1 @ 26° S4 Lustr+		1st LX	1st Tip SR Onstage
55	7.51	1 @ 36° S4 Lustr+		2nd LX	2nd Tip SR Offstage
56	7.41	1 @ 26° S4 Lustr+		2nd LX	2nd Tip SR Onstage
57	9.51	1 @ 36° S4 Lustr+		3rd LX	3rd Tip SR Offstage
58	9.41	1 @ 26° S4 Lustr+		3rd LX	3rd Tip SR Onstage
59	12.51	1 @ 36° S4 Lustr+		4th LX	4th Tip SR Offstage
60	12.41	1 @ 26° S4 Lustr+		4th LX	4th Tip SR Onstage
61	4.11	1 @ 26° S4 Lustr+		Concert Pipe	CP Tip SL Onstage
62	4.1	1 @ 36° S4 Lustr+		Concert Pipe	CP Tip SL Offstage
63	5.11	1 @ 26° S4 Lustr+		1st LX	1st Tip SL Onstage
64	5.1	1 @ 36° S4 Lustr+		1st LX	1st Tip SL Offstage
65	7.11	1 @ 26° S4 Lustr+		2nd LX	2nd Tip SL Onstage
66	7.1	1 @ 36° S4 Lustr+		2nd LX	2nd Tip SL Offstage
67	9.11	1 @ 26° S4 Lustr+		3rd LX	3rd Tip SL Onstage
68	9.1	1 @ 36° S4 Lustr+		3rd LX	3rd Tip SL Offstage
69	12.11	1 @ 26° S4 Lustr+		4th LX	4th Tip SL Onstage
70	12.1	1 @ 36° S4 Lustr+		4th LX	4th Tip SL Offstage
71	4.31	1 @ 36° S4 Lustr+		Concert Pipe	CP B/U SR
72	5.31	1 @ 36° S4 Lustr+		1st LX	1st B/U SR
73	7.31	1 @ 36° S4 Lustr+		2nd LX	2nd B/U SR
74	9.31	1 @ 36° S4 Lustr+		3rd LX	3rd B/U SR
75	4.21	1 @ 36° S4 Lustr+		Concert Pipe	CP B/U SL
76	5.21	1 @ 36° S4 Lustr+		1st LX	1st B/U SL
77	7.21	1 @ 36° S4 Lustr+		2nd LX	2nd B/U SL
78	9.21	1 @ 36° S4 Lustr+		3rd LX	3rd B/U SL
79					
80					

81	81	1 @ 50° S4		1st LX	1st 50 DSR
82	117	1 @ 50° S4		2nd LX	2nd 50 MSR
83	153	1 @ 50° S4		3rd LX	3rd 50 USR
84	64	1 @ 50° S4		1st LX	1st 50 DSL
85	100	1 @ 50° S4		2nd LX	2nd 50 MSL
86	136	1 @ 50° S4		3rd LX	3rd 50 USL
87	194	1 @ 19° S4		4th LX	USR Back Special USR
88	189	1 @ 19° S4		4th LX	USC Back Special USC
89	185	1 @ 19° S4		4th LX	USL Back Special USL
90					
91	5.381	1 @ ETC LED Series 2 Tungsten HD		1st LX	1st LED Back SR
92	5.371	1 @ ETC LED Series 2 Tungsten HD		1st LX	1st LED Back CSR
93	5.361	1 @ ETC LED Series 2 Tungsten HD		1st LX	1st LED Back CSL
94	5.351	1 @ ETC LED Series 2 Tungsten HD		1st LX	1st LED Back SL
95	7.121	1 @ ETC LED Series 2 Tungsten HD		2nd LX	2nd LED Back SR
96	7.111	1 @ ETC LED Series 2 Tungsten HD		2nd LX	2nd LED Back CSR
97	7.101	1 @ ETC LED Series 2 Tungsten HD		2nd LX	2nd LED Back CSL
98	7.91	1 @ ETC LED Series 2 Tungsten HD		2nd LX	2nd LED Back SL
99	9.381	1 @ ETC LED Series 2 Tungsten HD		3rd LX	3rd LED Back SR
100	9.371	1 @ ETC LED Series 2 Tungsten HD		3rd LX	3rd LED Back CSR
101	9.361	1 @ ETC LED Series 2 Tungsten HD		3rd LX	3rd LED Back CSL
102	9.351	1 @ ETC LED Series 2 Tungsten HD		3rd LX	3rd LED Back SL
103	12.381	1 @ ETC LED Series 2 Tungsten HD		4th LX	4th LED Back SR
104	12.371	1 @ ETC LED Series 2 Tungsten HD		4th LX	4th LED Back CSR
105	12.361	1 @ ETC LED Series 2 Tungsten HD		4th LX	4th LED Back CSL
106	12.351	1 @ ETC LED Series 2 Tungsten HD		4th LX	4th LED Back SL
107					
108					
109					
110					
111	79	1 @ 6" Fresnels	V99	1st LX	1st Cool Back SR
112	75	1 @ 6" Fresnels	V99	1st LX	1st Cool Back CSR
113	69	1 @ 6" Fresnels	V99	1st LX	1st Cool Back CSL
114	65	1 @ 6" Fresnels	V99	1st LX	1st Cool Back SL
115	115	1 @ 6" Fresnels	V99	2nd LX	2nd Cool Back SR
116	110	1 @ 6" Fresnels	V99	2nd LX	2nd Cool Back CSR
117	106	1 @ 6" Fresnels	V99	2nd LX	2nd Cool Back CSL
118	101	1 @ 6" Fresnels	V99	2nd LX	2nd Cool Back SL
119	151	1 @ 6" Fresnels	V99	3rd LX	3rd Cool Back SR
120	146	1 @ 6" Fresnels	V99	3rd LX	3rd Cool Back CSR

121	142	1 @ 6" Fresnels	V99	3rd LX	3rd Cool Back CSL
122	137	1 @ 6" Fresnels	V99	3rd LX	3rd Cool Back SL
123	195	1 @ 6" Fresnels	V99	4th LX	4th Cool Back SR
124	191	1 @ 6" Fresnels	V99	4th LX	4th Cool Back CSR
125	187	1 @ 6" Fresnels	V99	4th LX	4th Cool Back CSL
126	183	1 @ 6" Fresnels	V99	4th LX	4th Cool Back SL
127					
128					
129					
130					
131	131, 130	1 @ S4 Par - Narrow		Line 16	Pars 1 SR
132	127, 126	1 @ S4 Par - Narrow		Line 16	Pars 1 MSR
133	123, 122	1 @ S4 Par - Narrow		Line 16	Pars 1 CSR
134					
135					
136					
137	132, 129	1 @ S4 Par - Narrow		Line 16	Pars 2 SR
138	128, 125	1 @ S4 Par - Narrow		Line 16	Pars 2 MSR
139	124, 121	1 @ S4 Par - Narrow		Line 16	Pars 2 CSR
140					
141					
142					
143	141	1 @ S4 Par - Narrow		3rd LX	Pars 3 SR
144	145	1 @ S4 Par - Narrow		3rd LX	Pars 3 MSR
145	148	1 @ S4 Par - Narrow		3rd LX	Pars 3 CSR
146					
147					
148					
149	186	1 @ S4 Par - Narrow		4th LX	Pars 4 SR
150	190	1 @ S4 Par - Narrow		4th LX	Pars 4 MSR
151	193	1 @ S4 Par - Narrow		4th LX	Pars 4 CSR
152					
153					
154					
155					
156					
157					
158					
159					
160					

161	6.204	1 @ Chauvet COLORado 2-Quad Z Tour	LED	1A	LED Pars SR
162	6.187	1 @ Chauvet COLORado 2-Quad Z Tour	LED	1A	LED Pars SL
163	7.425	1 @ Chauvet COLORado 2-Quad Z Tour	LED	2nd LX	LED Pars SR
164	7.408	1 @ Chauvet COLORado 2-Quad Z Tour	LED	2nd LX	LED Pars CSR
165	7.391	1 @ Chauvet COLORado 2-Quad Z Tour	LED	2nd LX	LED Pars CSL
166	7.374	1 @ Chauvet COLORado 2-Quad Z Tour	LED	2nd LX	LED Pars SL
167	8.306	1 @ Chauvet COLORado 2-Quad Z Tour	LED	2A	LED Pars SR
168	8.289	1 @ Chauvet COLORado 2-Quad Z Tour	LED	2A	LED Pars MSR
169	8.272	1 @ Chauvet COLORado 2-Quad Z Tour	LED	2A	LED Pars CSR
170	8.255	1 @ Chauvet COLORado 2-Quad Z Tour	LED	2A	LED Pars CSL
171	8.238	1 @ Chauvet COLORado 2-Quad Z Tour	LED	2A	LED Pars MSL
172	8.221	1 @ Chauvet COLORado 2-Quad Z Tour	LED	2A	LED Pars SL
173					
174					
175					
176					
177					
178					
179					
180					
181	13.78	1 @ Opti Quad Par 7 Channel	LED	Deck	LED Pars Deck
182	13.71	1 @ Opti Quad Par 7 Channel	LED	Deck	LED Pars Deck
183	13.64	1 @ Opti Quad Par 7 Channel	LED	Deck	LED Pars Deck
184	13.57	1 @ Opti Quad Par 7 Channel	LED	Deck	LED Pars Deck
185	13.5	1 @ Opti Quad Par 7 Channel	LED	Deck	LED Pars Deck
186	13.43	1 @ Opti Quad Par 7 Channel	LED	Deck	LED Pars Deck
187	13.36	1 @ Opti Quad Par 7 Channel	LED	Deck	LED Pars Deck
188	13.29	1 @ Opti Quad Par 7 Channel	LED	Deck	LED Pars Deck
189	13.22	1 @ Opti Quad Par 7 Channel	LED	Deck	LED Pars Deck
190	13.15	1 @ Opti Quad Par 7 Channel	LED	Deck	LED Pars Deck
191	13.8	1 @ Opti Quad Par 7 Channel	LED	Deck	LED Pars Deck
192	13.1	1 @ Opti Quad Par 7 Channel	LED	Deck	LED Pars Deck
193					
194					
195					
196					
197					
198					
199					
200					

201	5.145 + 1.77	1 @ Varilite TS	RGB	1st LX	Back Special 1 DSR
202	5.118 + 1.72	1 @ Varilite TS	RGB	1st LX	Back Special 2 DSC
203	5.91 + 1.68	1 @ Varilite TS	RGB	1st LX	Back Special 3 DSL
204	7.226 + 1.113	1 @ Varilite TS	RGB	2nd LX	Back Special 4 MSR
205	7.199 + 1.108	1 @ Varilite TS	RGB	2nd LX	Back Special 5 MSC
206	7.172 + 1.104	1 @ Varilite TS	RGB	2nd LX	Back Special 6 MSL
207	9.307 + 1.149	1 @ Varilite TS	RGB	3rd LX	Back Special 7 USR
208	9.280 + 1.144	1 @ Varilite TS	RGB	3rd LX	Back Special 8 USC
209	9.253 + 1.140	1 @ Varilite TS	RGB	3rd LX	Back Special 9 USL
210					
211	6.32	1 @ Impression Spot One	LED	Line 8	GLP #2 DSR
212	6.1	1 @ Impression Spot One	LED	Line 8	GLP #1 DSL
213	8.156	1 @ Impression Spot One	LED	Line 16	GLP #6 USR
214	8.125	1 @ Impression Spot One	LED	Line 16	GLP #5 UMSR
215	8.94	1 @ Impression Spot One	LED	Line 16	GLP #4 UMSL
216	8.63	1 @ Impression Spot One	LED	Line 16	GLP #3 USL
217					
218					
219					
220					
221	271, 276, 281	6 @ Altman FC1	RGB	Deck	Groundrow SR
222	270, 275, 280	6 @ Altman FC1	RGB	Deck	Groundrow CSR
223	269, 274, 279	6 @ Altman FC1	RGB	Deck	Groundrow CS
224	268, 273, 278	6 @ Altman FC1	RGB	Deck	Groundrow CSL
225	267, 272, 277	3 @ Altman FC1	RGB	Deck	Groundrow SL
226					
227					
228					
229					
230					
231	177, 178, 179, 180	8 @ Iris	RGBA	Cyc LX	Top Cyc SR
232	173, 174, 175, 176	8 @ Iris	RGBA	Cyc LX	Top Cyc C
233	169, 170, 171, 172	8 @ Iris	RGBA	Cyc LX	Top Cyc SL
234					
235					
236					
237					
238					
239					
240					

241	13.245	1 @ Spectra 100 Cyc	LED	Deck	LED Ground Row SR
242	13.235	1 @ Spectra 100 Cyc	LED	Deck	LED Ground Row MSR
243	13.225	1 @ Spectra 100 Cyc	LED	Deck	LED Ground Row CMSR
244	13.215	1 @ Spectra 100 Cyc	LED	Deck	LED Ground Row CSR
245	13.205	1 @ Spectra 100 Cyc	LED	Deck	LED Ground Row CSL
246	13.195	1 @ Spectra 100 Cyc	LED	Deck	LED Ground Row CMSL
247	13.185	1 @ Spectra 100 Cyc	LED	Deck	LED Ground Row MSL
248	13.175	1 @ Spectra 100 Cyc	LED	Deck	LED Ground Row SL
249					
250					
251	11.366	1 @ Spectra 200 cyc	LED	Cyc LX	LED CYC SR
252	11.358	1 @ Spectra 200 cyc	LED	Cyc LX	LED CYC MSR
253	11.350	1 @ Spectra 200 cyc	LED	Cyc LX	LED CYC C
254	11.342	1 @ Spectra 200 cyc	LED	Cyc LX	LED CYC MSL
255	11.334	1 @ Spectra 200 cyc	LED	Cyc LX	LED CYC SL
256					
257					
258					
259					
260					
261					
262					
263					
264					
265					
266					
267					
268					
269					
270					
271					
272					
273					
274					
275					
276					
277					
278					
279					
280					

281	26	1 @ Strand Zoom 15°-32°		FOH #1	M/C Special SR
282	52, 53, 55, 56, 57	5 @ 6" Fresnel	O/W	Concert Pipe	Top light
283	51, 54, 58	2 @ 26° S4	O/W	Concert Pipe	Big Ticket Logos
284	287	S4 36, S4 26		FOH #2	Aisle House Left
285	286	S4 36, S4 26		FOH #2	Aisle House Right
286	X.498	1 @ LED Shadow 3 Channel		Box Boom	Black Light
287	X.495	1 @ LED Shadow 3 Channel		Box Boom	Black Light
288	X.505	1 @ Atomic 3000 4CH 60hz		Box Boom	Strobe
289	X.501	1 @ Atomic 3000 4CH 60hz		Box Boom	Strobe
290	X.489	1 @ Rosco Double Indexing Rotator			Gobo Rotator
291		1 @ Rosco Double Indexing Rotator			Gobo Rotator
292	X.509	1 @ MB DMX 2 Channel			MB Motor
293	X.511	2 @ Radiance Hazer 2 Channel		USC	Haze
294					
295					
296					
297	1	2 @ 26° SL	R46	FOH	Curtain Warmers
298	x.492	4 @ Works		Up/Down	Offstage Works
299	5.491 + 7.491	4 @ Works		1st, 2nd	DS Works
300	9.491 + 12.491	4 @ Works		3rd, 4th	US Works
301	253	1 @ 36° S4		SR Prosc Boom	DSR Side 1
302	223	1 @ 36° S4		SR Boom 1	MSR Side 1
303	229	1 @ 36° S4		SR Boom 2	MSR Side 1
304	235	1 @ 36° S4		SR Boom 3	USR Side 1
305	241	1 @ 36° S4		SR Boom 4	USR Side 1
306	247	1 @ 36° S4		SL Prosc Boom	DSL Side 1
307	199	1 @ 36° S4		SL Boom 1	MSL Side 1
308	205	1 @ 36° S4		SL Boom 2	MSL Side 1
309	211	1 @ 36° S4		SL Boom 3	USL Side 1
310	217	1 @ 36° S4		SL Boom 4	USL Side 1
311	254	1 @ 36° S4		SR Prosc Boom	DSR Side 2
312	225	1 @ 36° S4		SR Boom 1	MSR Side 2
313	231	1 @ 36° S4		SR Boom 2	MSR Side 2
314	237	1 @ 36° S4		SR Boom 3	USR Side 2
315	243	1 @ 36° S4		SR Boom 4	USR Side 2
316	248	1 @ 36° S4		SL Prosc Boom	DSL Side 2
317	201	1 @ 36° S4		SL Boom 1	MSL Side 2
318	207	1 @ 36° S4		SL Boom 2	MSL Side 2
319	213	1 @ 36° S4		SL Boom 3	USL Side 2
320	219	1 @ 36° S4		SL Boom 4	USL Side 2

321	255	1 @ 36° S4		SR Prosc Boom	DSR Mid
322	227	1 @ 36° S4		SR Boom 1	MSR Mid
323	233	1 @ 36° S4		SR Boom 2	MSR Mid
324	239	1 @ 36° S4		SR Boom 3	USR Mid
325	245	1 @ 36° S4		SR Boom 4	USR Mid
326	249	1 @ 36° S4		SL Prosc Boom	DSL Mid
327	203	1 @ 36° S4		SL Boom 1	MSL Mid
328	209	1 @ 36° S4		SL Boom 2	MSL Mid
329	215	1 @ 36° S4		SL Boom 3	USL Mid
330	221	1 @ 36° S4		SL Boom 4	USL Mid
331	256	1 @ 36° S4		SR Prosc Boom	DSR Shin
332	228	1 @ 36° S4		SR Boom 1	MSR Shin
333	234	1 @ 36° S4		SR Boom 2	MSR Shin
334	240	1 @ 36° S4		SR Boom 3	USR Shin
335	246	1 @ 36° S4		SR Boom 4	USR Shin
336	250	1 @ 36° S4		SL Prosc Boom	DSL Shin
337	204	1 @ 36° S4		SL Boom 1	MSL Shin
338	210	1 @ 36° S4		SL Boom 2	MSL Shin
339	216	1 @ 36° S4		SL Boom 3	USL Shin
340	222	1 @ 36° S4		SL Boom 4	USL Shin
341					
342					
343					
344					
345					
346					
347					
348					
349					
350					
351					
352					
353					
354					
355					
356					
357					
358					
359					
360					

361					
362					
363					
364					
365					
366					
367					
368					
369					
370					
371					
372					
373					
374					
375					
376					
377					
378					
379					
380					
381					
382					
383					
384					
385					
386					
387					
388					
389					
390					
600					
601	13.150	1 @ Astra S7 Dim Spot	RGB	Deck	Wireless Par Spot/Accent
602	13.143	1 @ Astra S7 Dim Spot	RGB	Deck	Wireless Par Spot/Accent
603	13.136	1 @ Astra S7 Dim Spot	RGB	Deck	Wireless Par Spot/Accent
604	13.129	1 @ Astra S7 Dim Spot	RGB	Deck	Wireless Par Spot/Accent
605	13.122	1 @ Astra S7 Dim Spot	RGB	Deck	Wireless Par Spot/Accent
606	13.115	1 @ Astra S7 Dim Spot	RGB	Deck	Wireless Par Spot/Accent
607	13.108	1 @ Astra S7 Dim Spot	RGB	Deck	Wireless Par Spot/Accent
608	13.101	1 @ Astra S7 Dim Spot	RGB	Deck	Wireless Par Spot/Accent
609					
610					